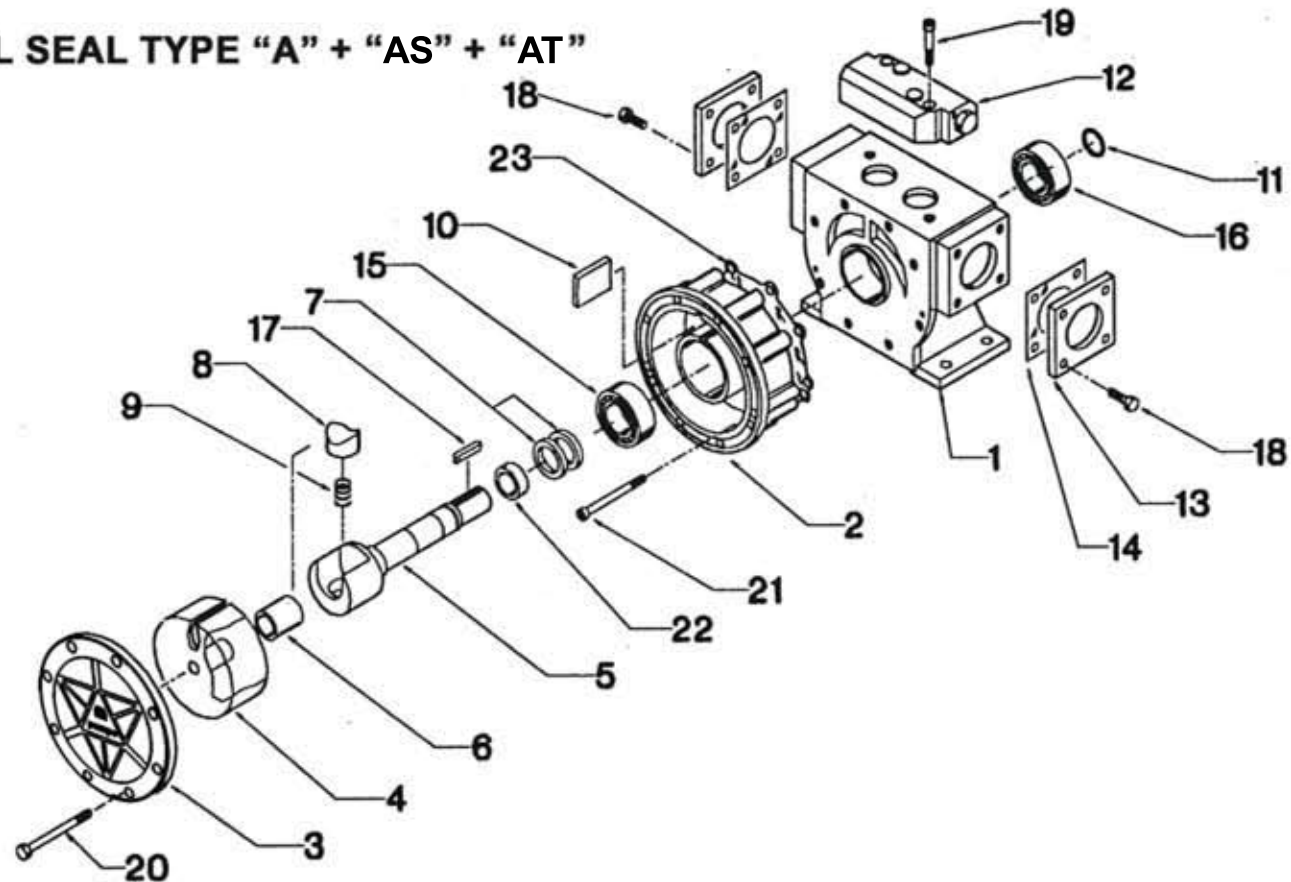




## MECHANICAL SEAL TYPE "A" + "AS" + "AT"

POMPE SINGOLE  
 FREE SHAFT PUMPS  
 POMPES AU ARBRE NU  
 EINZEL PUMPE



- 1 BASE
- 2 CORPO
- 3 COPERCHIO
- 4 GIRANTE
- 5 ALBERO
- 6 BRONZINA
- 7 ANELLI TENUTA VITON
- 8 LUNETTA
- 9 MOLLA
- 10 DIAFRAMMA
- 11 ANELLO ELASTICO
- 12 VALVOLA BY-PASS
- 13 CONTROFLANGIA
- 14 GUARNIZIONE CONTROFLANGIA
- 15 CUSCINETTO ANTERIORE
- 16 CUSCINETTO POSTERIORE
- 17 CHIAVETTA
- 18 VITE CONTROFLANGIA
- 19 VITE BY-PASS
- 20 VITE COPERCHIO
- 21 VITE PREFISSAGGIO CORPO
- 22 ANELLO DI STRISCIAMENTO
- 23 GUARNIZIONE CORPO

- 1 BASE
- 2 CASING
- 3 COVER CASING
- 4 IMPELLER
- 5 SHAFT
- 6 BUSHING
- 7 VITON SEALING RING
- 8 END SUPPORT
- 9 SPRING
- 10 DIAPHRAGM
- 11 CIRCLIP
- 12 BY-PASS VALVE
- 13 COUNTERFLANGE
- 14 GASKET COUNTERFLANGE
- 15 BEARING FRONT
- 16 BEARING REAR
- 17 FEATHER KEY
- 18 COUNTERFLANGE BOLT
- 19 BY PASS BOLT
- 20 FRONT COVER BOLT
- 21 CASING PREASSEMBLY BOLT
- 22 SLEIGH RING
- 23 GASKET CASING

- 1 BASE
- 2 CORP
- 3 COUVERCLE
- 4 ROTOR
- 5 ARBRE
- 6 COUSSINET
- 7 ANNEAU D'ETANCHEITE VITON
- 8 LUNETTE
- 9 RESSORT
- 10 DIAPHRAGME
- 11 CIRCLIP
- 12 SOUPE DU BY-PASS
- 13 CONTRE-BRIDE
- 14 JOINT DE LA CONTRE-BRIDE
- 15 ROULEMENT ANTERIEUR
- 16 ROULEMENT POSTERIEUR
- 17 CLAVETTE
- 18 VIS DE LA CONTRE-BRIDE
- 19 VIS DU BY-PASS
- 20 VIS DU COUVERCLE
- 21 VIS DE PREFIXAGE DU CORP
- 22 ANNEAU DE GLISSEMENT
- 23 JOINT DU CORP

- 1 BASIS
- 2 GEHAUSE
- 3 DECKEL
- 4 LAUFRAD
- 5 WELLE
- 6 BRONZLAGER
- 7 VITON HALTERING
- 8 SETZSTOCK
- 9 DRUECKFEDER
- 10 DIAPHRAMM
- 11 SEEGERING
- 12 BY-PASS VENTIL
- 13 GEGENFLANSCH
- 14 GEGENFLANSCHDICHTUNG
- 15 VORDERES KUGELLAGER
- 16 HINTERES KUGELLAGER
- 17 FEDERKEIL
- 18 GEGENFLANSCHSCHRAUBE
- 19 BY-PASS SCHRAUBE
- 20 DECKEL SCHRAUBE
- 21 BEFESTIGUNGS SCHRAUBE
- 22 LAUFRING
- 23 GEHAUSEDICHTUNG